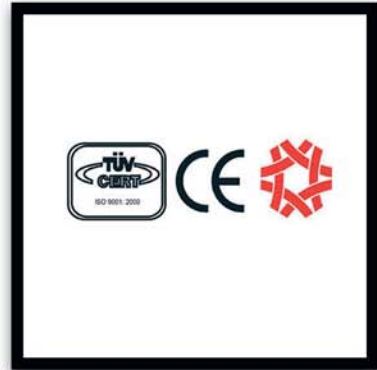
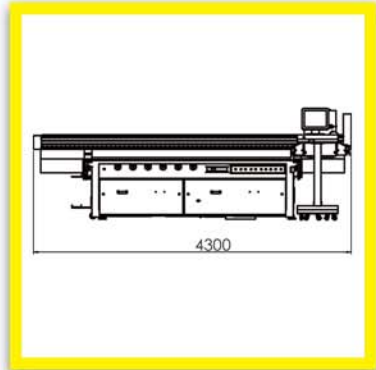
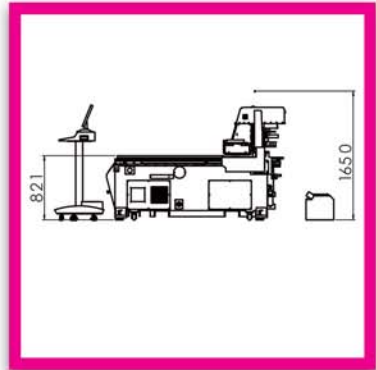
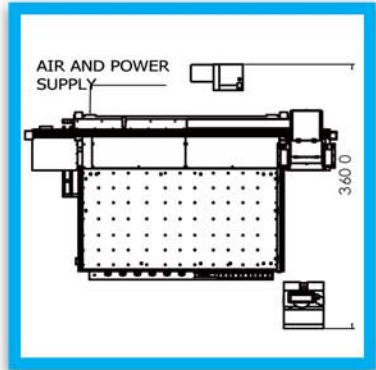


# Technical Specification

## CoJet 2612

Print Heads	Konica Minolta 512 nozzles (4 heads, up to 10 heads optional)			
Drop Volume	14pl			
Print Color	<b>C, M, Y, K, Lc, Lm, White Ink, (top coat ink optional)</b>			
Print Resolution (dpi)	720 x 720		1440 x 720	
Print Speed, m <sup>2</sup> /hr (ft <sup>2</sup> /hr)	6/7 colors	4 colors	6/7 color	4 color
Up to m <sup>2</sup> /hr (ft <sup>2</sup> /hr)	14.1 (150)	28.2 (301)	7.1 (75)	14.2 (150)
Print Area	2350 mm x 1250 mm (96 inch x 48 inch)			
Max. Thickness	100mm (3.94 inch)			
Ink Type	UV Curable ink			
Media Handling	Flatbed moving gantry, Vacuum			
Media Type	Foam Board, Acrylic sheet, Glass, Wood, Aluminium, Tile, etc.			
Interface	Ethernet 10/100 Base T			
Support File Format	As RIP support			
Footprint	4600 mm x 3750 mm x 2000 mm			
Weight	2500 Kg			
Package List	CoJet - 2612s Printer system, Maintenance Tools, Power Cable, ink, Vacuum Pump, Communication Cable, Operation Manual			
Operation Enviroment	Temperature: 15-30° C (59-86° F), Humidity: 30-70% RH			
Power Requirement	200-240 VAC, 50/60 Hz, 32A, 3 Phase			
Air Source	5kg/cm, 30 L/min, Clean Dry Air			
Warranty	Printer: 1 Year, Print Head: 6 months			

All Anderson products feature a limited warranty - ask your local Anderson dealer for details. The information provided in this brochure (illustrations, photos, specifications, text) may change due to modifications or options. Please refer to your order confirmation for precise product information.



Our Global Engineering is your Advantage - **ANDERSON GROUP**

**ANDERSON** (Head office) / 7F, No. 72, Sung Chiang Rd., Taipei, Taiwan / phone: +886-(0)2-2523 7866 / fax: +886-(0)2-2523 6886  
**ANDERSON** (Factory) / No. 1498, Chung Hua Rd., Hou-Lung, Miao-Li, Taiwan / phone: +886-(0)37-726 876 / fax: +886-(0)37-727 727

**AMERICA** / Southern Loop Boulevard, Charlotte, NC 28134 USA / phone: +1-704-522 1823 / fax: +1-704-522 0871  
**EUROPE** / Am Oberen Feld 5, D-32758 Detmold Germany / phone: +49-(0)5231-9663-0 / fax: +49-(0)5231-9663-1  
**SINGAPORE** / BLK459 PASIR RIS RD-4 #10-257(S)510459, Singapore / phone: +65-584 0749 fax: +65-581 4828  
**CHINA** / No 648, Fang-Ta North Road, Songjiang County, Shanghai, China / phone: +86-(0)21-5774 3650 / fax: +86-(0)21-5774 3656

Graphic & Printing Devison



# CoJet 2612

UV digital inkjet True Flatbed Printer

All information is subject to change, valid as of August, 2010



www.anderson-dpc.com