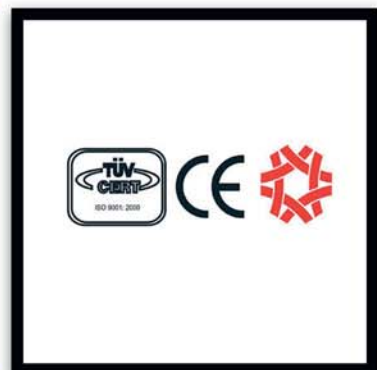
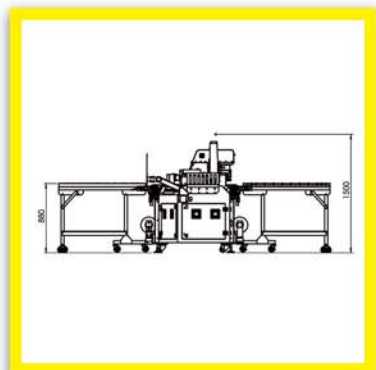
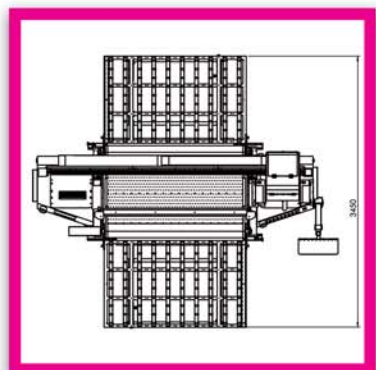
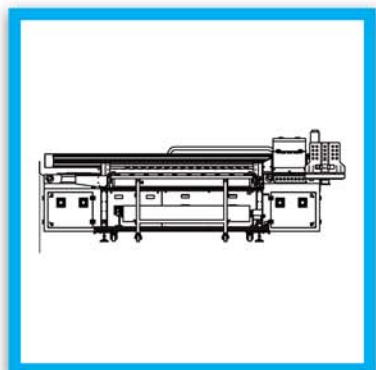


# Technical Specification

## AJet Series

Print Heads	Piezo Drop-On-Demand Inkjet Head; 5 colors 10 Heads 7 Colors 8 Heads (2 heads more for Varnish optional)			
Drop Volume	14pl			
Print Color	<b>K, C, M, Y, Lc, Lm, W (Varnish optional)</b>			
Print Resolution (dpi)	360 x 720	720 x 720	1440 x 720	
Print Speed, m <sup>2</sup> /hr (ft <sup>2</sup> /hr)	6/7 colors	5 colors	7 colors	5 colors
Up to m <sup>2</sup> /hr (ft <sup>2</sup> /hr)	14 (150)	25 (301)	7 (75)	14 (150)
Print Area	(Sheet) 1650 mm x 3300 mm (65 inch x 130 inch) (Roll) width 1650 mm (65 inch)			
Max. Thickness	50mm (1.97 inch)			
Ink Type	UV Curable ink			
Media Handling	Auto media size match vacuum belt system Build in roll material feeding and take up system Material support frame for rigid panel			
Media Type	Foam Board, Acrylic sheet, Glass, Wood, Aluminium, Vynil, Tile, etc.			
Interface	Ethernet 10/100 Base T			
RIP application	ONYX Production House for AJet			
Dimension	3800 mm x 1250 mm x 1750 mm (12.46'x 4.01'x 5.74'); 3800 mm x 3400 mm x 1750 mm (include panel support frame)			
Weight	800Kg (1760 lbs), 950Kg (2090 lbs) - include panel support frame			
Package List	AJet Printer system, Maintenance Tools, Suck Blower, UV ink (each color 1L), Cleaner (1L), Operation Manual			
Operation Environment	Temperature: 15-30° C (59-86° F), Humidity: 30-70% RH			
Power Requirement	200-240 VAC, 50/60 Hz, 1 Phase			
Air Source	5kg/cm <sup>2</sup> , 10 L/min, Clean Dry Air			
Warranty	Printer: 1 Year			



Our Global Engineering is your Advantage - ANDERSON GROUP

ANDERSON (Head office) / 7F, No. 72, Sung Chiang Rd., Taipei, Taiwan / phone: +886-(0)2-2523 7866 / fax: +886-(0)2-2523 6886

ANDERSON (Factory) / No. 1498, Chung Hua Rd., Hou-Lung, Miao-Li, Taiwan / phone: +886-(0)37-726 876 / fax: +886-(0)37-727 727

AMERICA / Southern Loop Boulevard, Charlotte, NC 28134 USA / phone: +1-704-522 1823 / fax: +1-704-522 0871

EUROPE / Am Oberen Feld 5, D-32758 Detmold Germany / phone: +49-(0)5231-9663-0 / fax: +49-(0)5231-9663-1

SINGAPORE / BLK459 PASIR RIS RD-4 #10-257(S)510459, Singapore / phone: +65-584 0749 fax: +65-581 4828

CHINA / No 648, Fang-Ta North Road, Songjiang County, Shanghai, China / phone: +86-(0)21-5774 3650 / fax: +86-(0)21-5774 3656

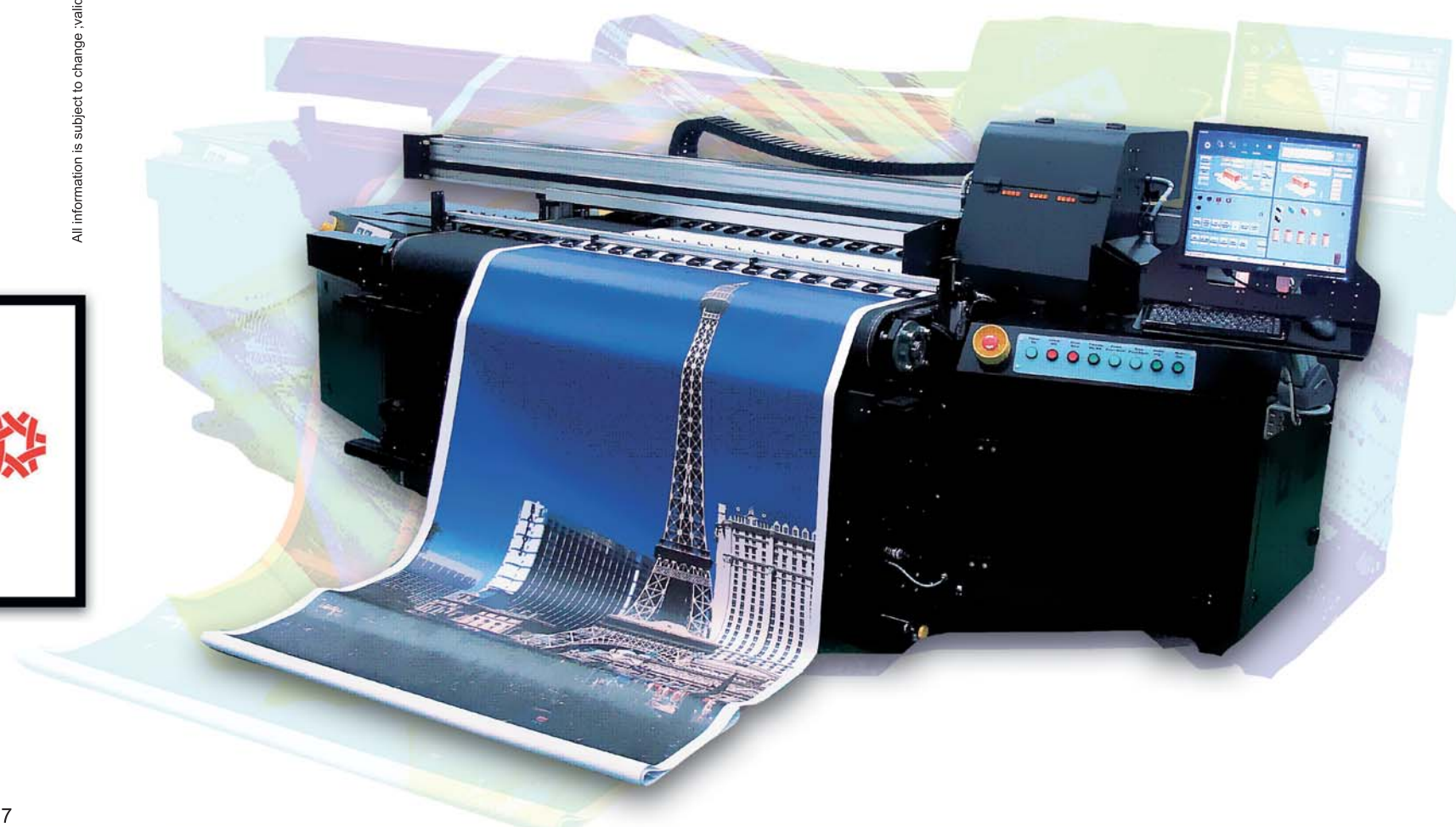
Graphic & Printing Devison



# AJet

## Hybrid UV Digital inkjet Printer

All information is subject to change, valid as of August, 2010



www.anderson-dpc.com